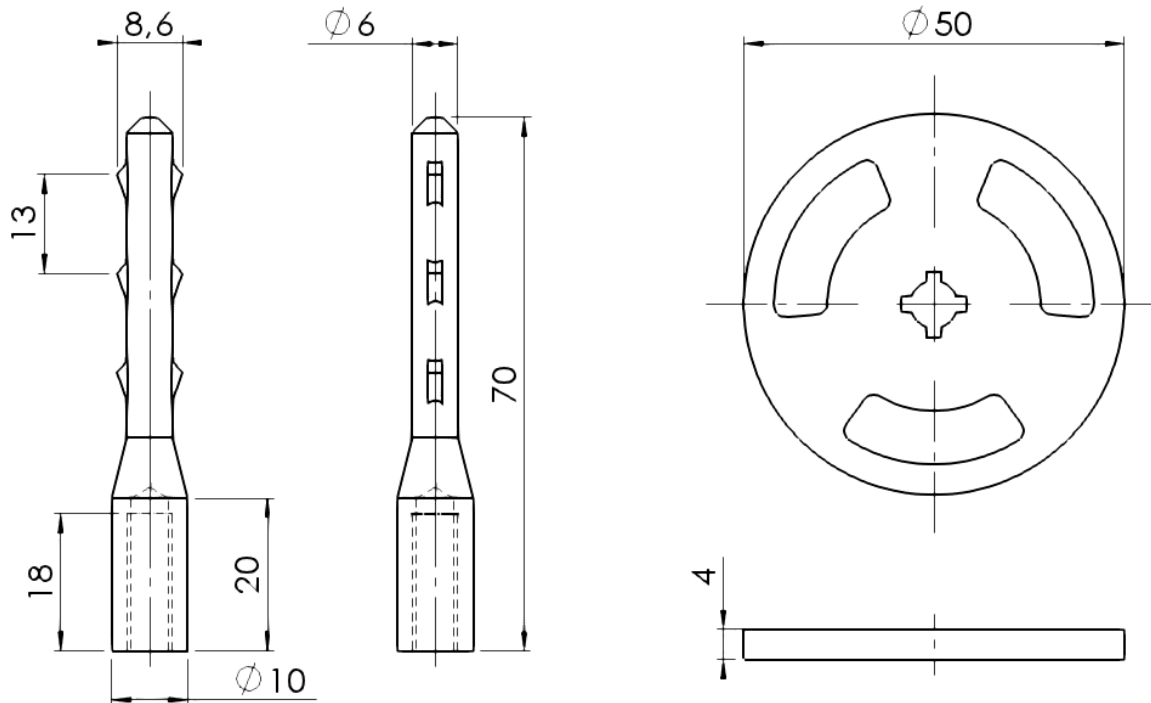


## CERAFIX 1

ANCHORS IN ALUMINA



Al<sub>2</sub>O<sub>3</sub> CONTENT > 95 %

### Our recommendations :

- If possible, order DRS RT (rolled thread) against DRS CT (cut thread) – page D2-02

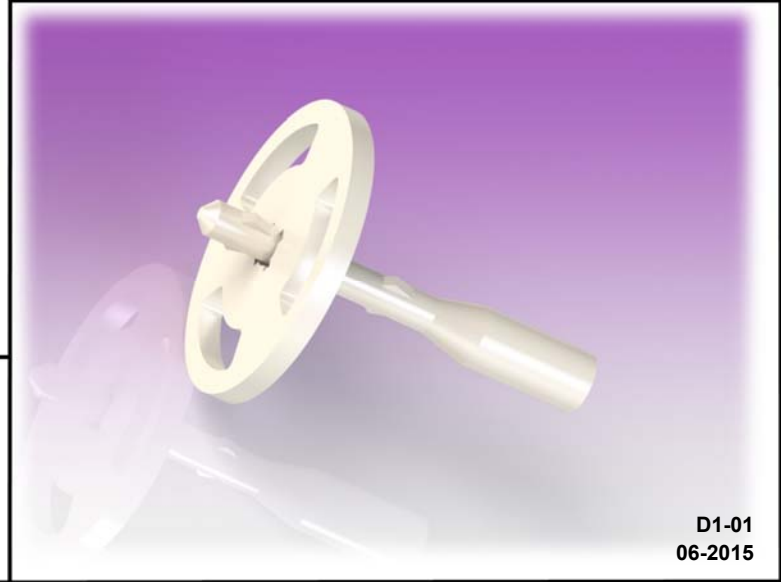


France – phone : + 33 3 66 50 00 30  
 anchorscontact@gmail.com  
 www.anchorsforrefractory.com

Options :



CERAFIX 1 WITH DRS



D1-01  
06-2015

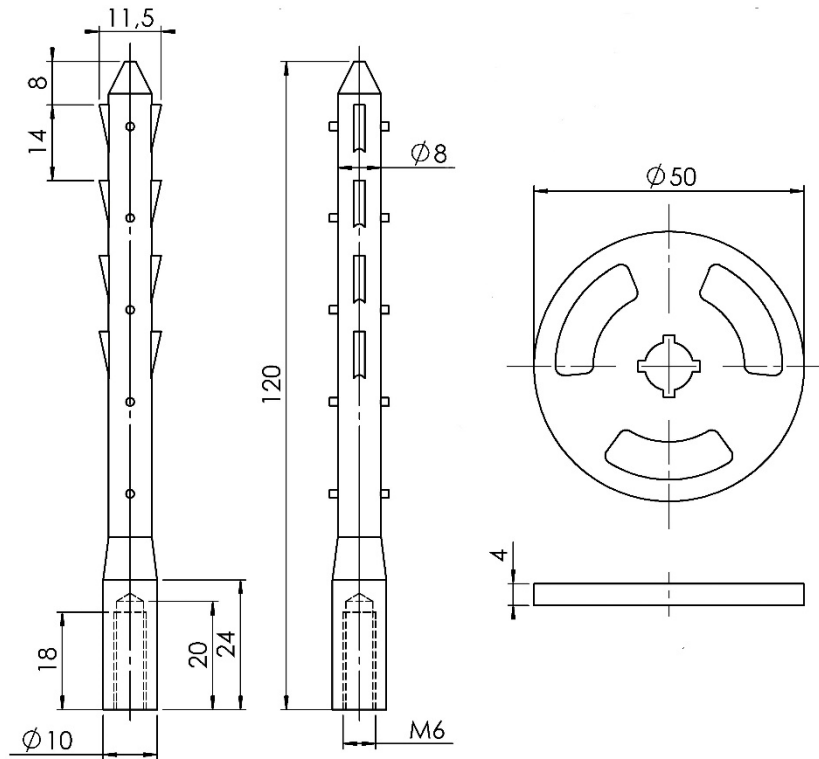
This drawing is the property of ANCHORS unauthorised use and / or reproduction of the drawing is prohibited. Informations mentioned are guide lines only and can be modified without previous notice .Please contact us if you want a liable specification



D-ANCHORS FOR FIBRE LININGS

## CERAFIX 9

ANCHORS IN ALUMINA



$Al_2O_3$  CONTENT > 95 %

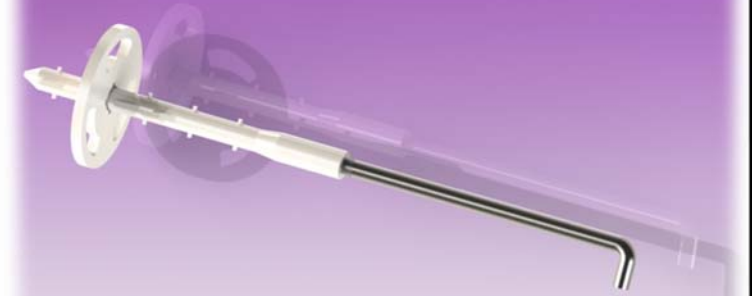
### Our recommendations :

- If possible, order DRS RT (rolled thread) against DRS CT (cut thread) – page D2-02

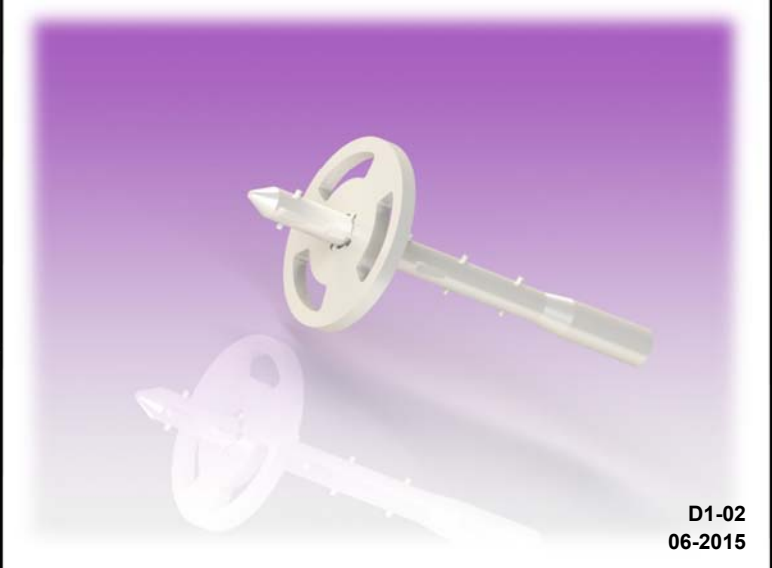


France – phone : + 33 3 66 50 00 30  
 anchorscontact@gmail.com  
 www.anchorsforrefractory.com

Options :



CERAFIX 9 WITH DRH



D1-02  
06-2015

This drawing is the property of ANCHORS unauthorised use and / or reproduction of the drawing is prohibited. Informations mentioned are guide lines only and can be modified without previous notice .Please contact us if you want a liable specification



D-ANCHORS FOR FIBRE LININGS