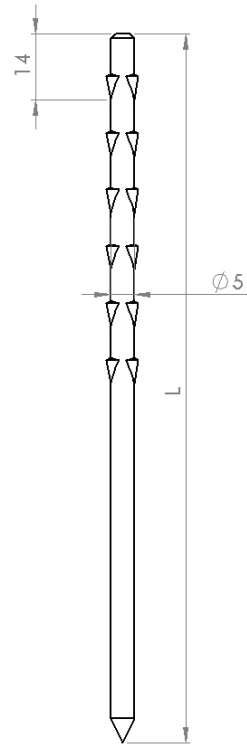


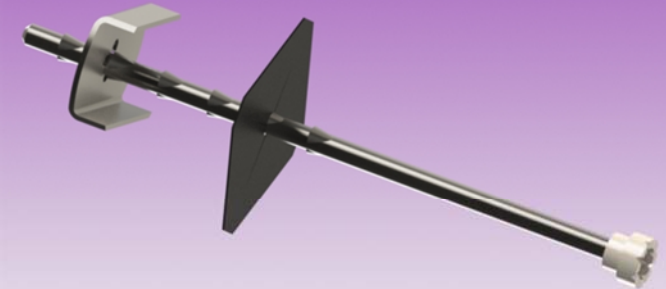
# ANCHORS FOR FIBRE LININGS

## FFS.5 – 150 – 304

TYPE    Ø    LENGTH L    ALLOY



Options :



FIBERFIX SYSTEM

Our recommendations :

- Stud welding



France – phone : + 33 3 66 50 00 30  
anchorscontact@gmail.com  
www.anchorsforrefractory.com



D3-01  
06-2015

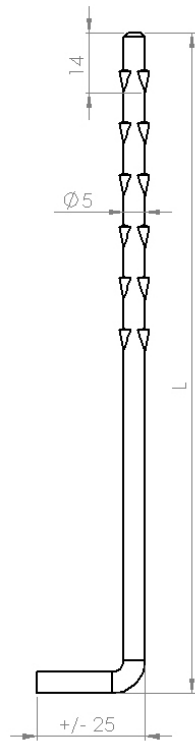
This drawing is the property of ANCHORS unauthorised use and / or reproduction of the drawing is prohibited. Informations mentioned are guide lines only and can be modified without previous notice .Please contact us if you want a liable specification

D-ANCHORS FOR FIBRE LININGS

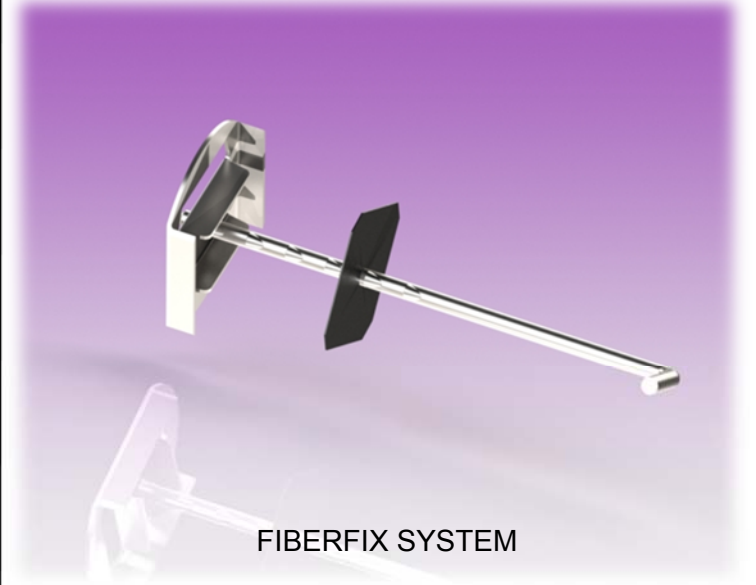
# ANCHORS FOR FIBRE LININGS

## FFH.5 – 150 – 304

TYPE Ø LENGTH L ALLOY



Options :



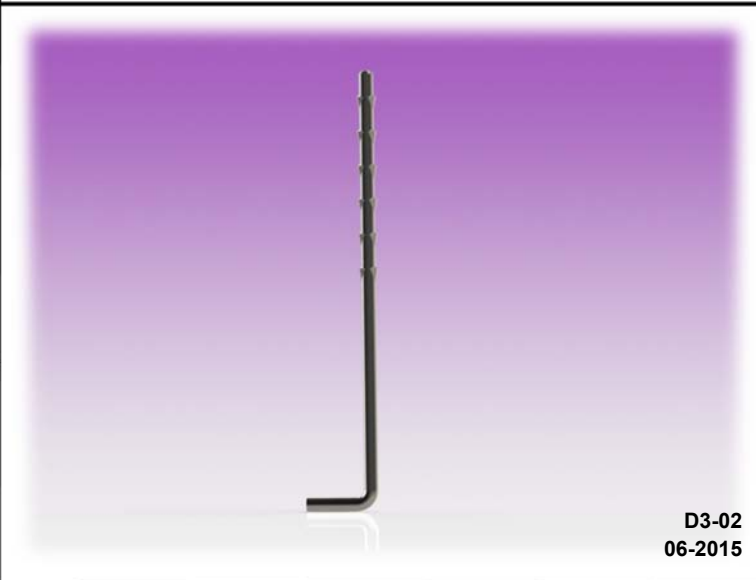
FIBERFIX SYSTEM

Our recommendations :

- Welding with electrode



France – phone : + 33 3 66 50 00 30  
anchorscontact@gmail.com  
www.anchorsforrefractory.com



D3-02  
06-2015

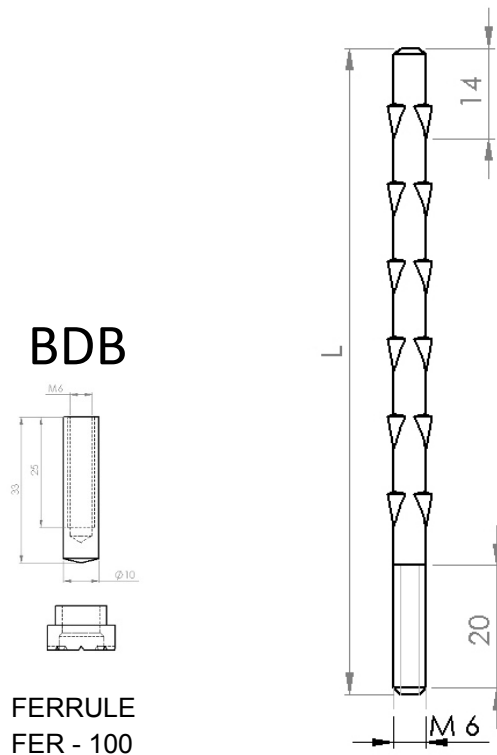
This drawing is the property of ANCHORS unauthorised use and / or reproduction of the drawing is prohibited. Informations mentioned are guide lines only and can be modified without previous notice .Please contact us if you want a liable specification

D-ANCHORS FOR FIBRE LININGS

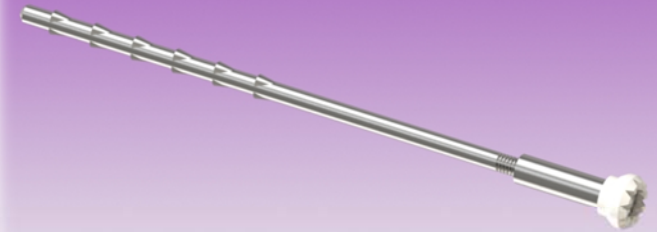
# ANCHORS FOR FIBRE LININGS

## FFT.5 – 150 – 304

TYPE    Ø            LENGTH L            ALLOY



Options :



FIBERFIX SYSTEM



Our recommendations :

- Stud to screw in BDB



France – phone : + 33 3 66 50 00 30  
anchorscontact@gmail.com  
www.anchorsforrefractory.com

D3-03  
06-2015

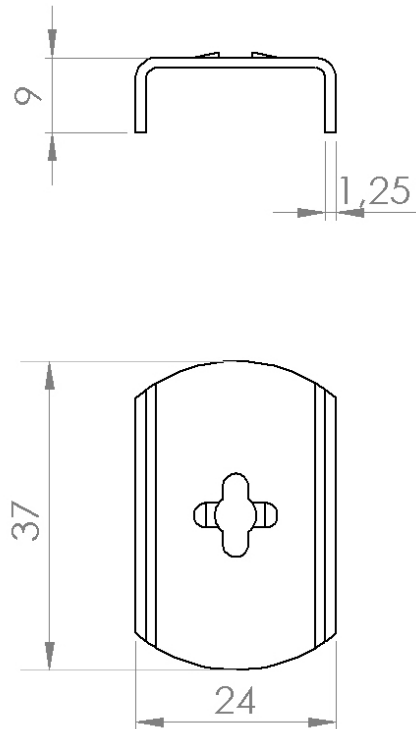
This drawing is the property of ANCHORS unauthorised use and / or reproduction of the drawing is prohibited. Informations mentioned are guide lines only and can be modified without previous notice .Please contact us if you want a liable specification

D-ANCHORS FOR FIBRE LININGS

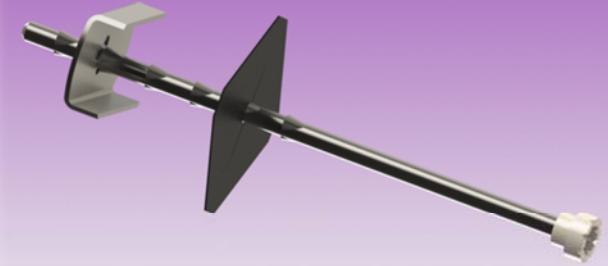
# ANCHORS FOR FIBRE LININGS

## LFF – 040 – 310

TYPE                  THICKNESS      ALLOY



Options :



FIBERFIX SYSTEM

Our recommendations :

- Fixing clip hot face for FIBERFIX



France – phone : + 33 3 66 50 00 30  
anchorscontact@gmail.com  
www.anchorsforrefractory.com



D3-04  
06-2015

This drawing is the property of ANCHORS unauthorised use and / or reproduction of the drawing is prohibited. Informations mentioned are guide lines only and can be modified without previous notice .Please contact us if you want a liable specification

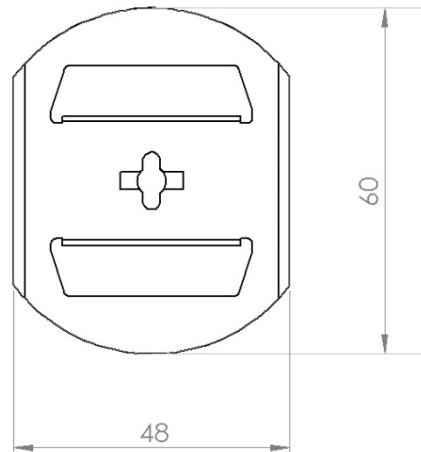


D-ANCHORS FOR FIBRE LININGS

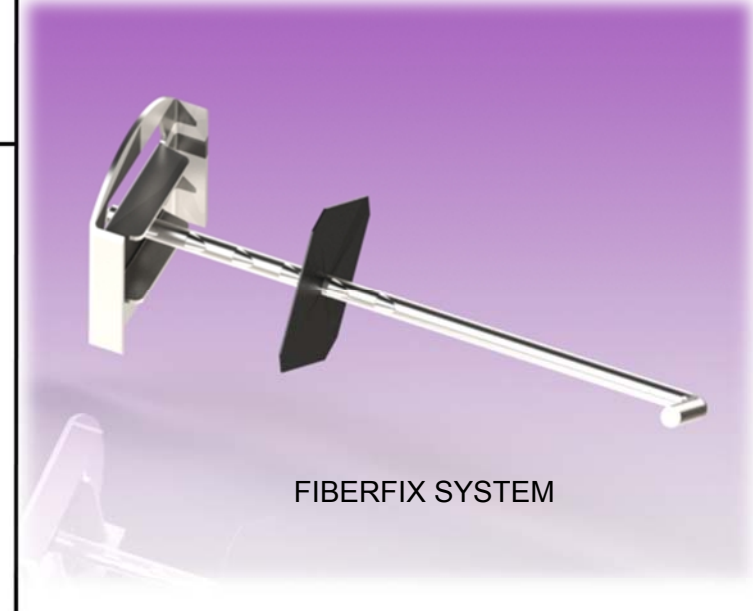
# ANCHORS FOR FIBRE LININGS

## LFF – 060 – 310

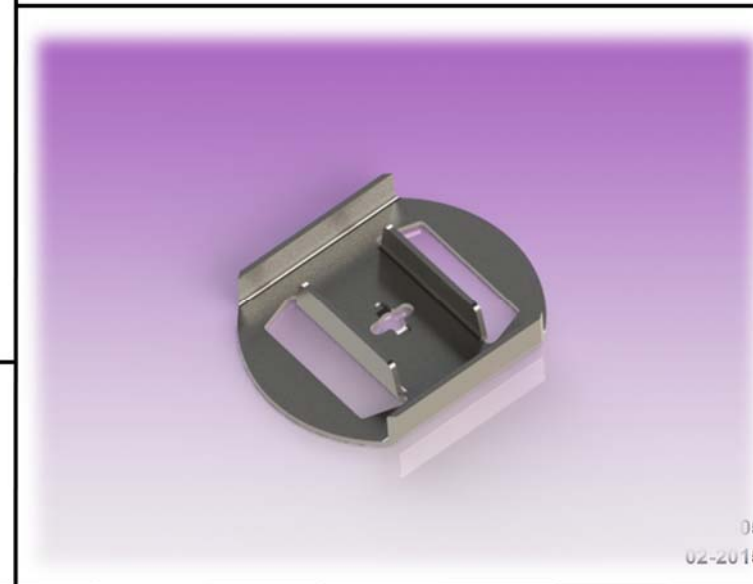
TYPE      THICKNESS      ALLOY



Options :



FIBERFIX SYSTEM



### Our recommendations :

- Fixing clip hot face for FIBERFIX



France – phone : + 33 3 66 50 00 30  
anchorscontact@gmail.com  
www.anchorsforrefractory.com

05  
02-2015

This drawing is the property of ANCHORS unauthorised use and / or reproduction of the drawing is prohibited. Informations mentioned are guide lines only and can be modified without previous notice .Please contact us if you want a liable specification

D-ANCHORS FOR FIBRE LININGS