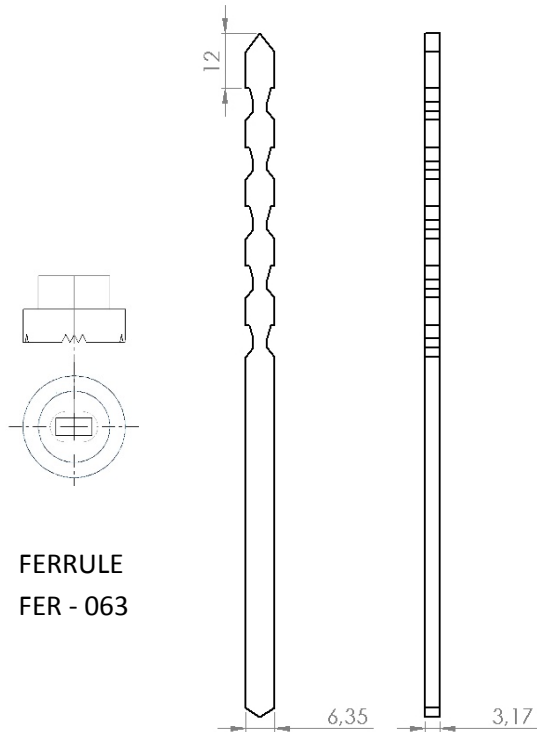


INS – 200 – 601

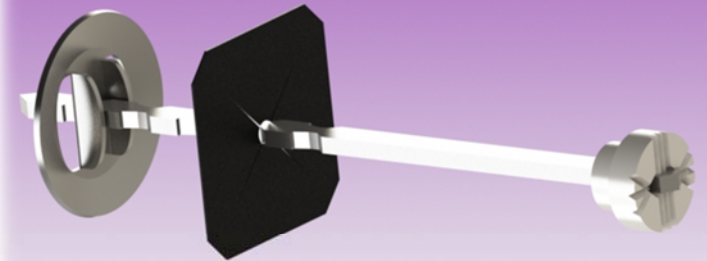
TYPE LENGTH L ALLOY



FERRULE
FER - 063



Options :



INSULTWIST SYSTEM



Our recommendations :

- Stud welding



France – phone : + 33 3 66 50 00 30
anchorscontact@gmail.com
www.anchorsforrefractory.com

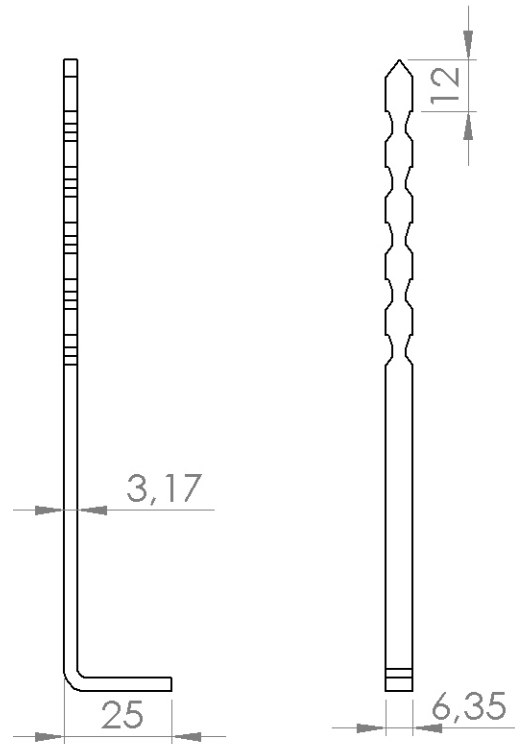
D4-01
06-2015

This drawing is the property of ANCHORS unauthorised use and / or reproduction of the drawing is prohibited. Informations mentioned are guide lines only and can be modified without previous notice .Please contact us if you want a liable specification

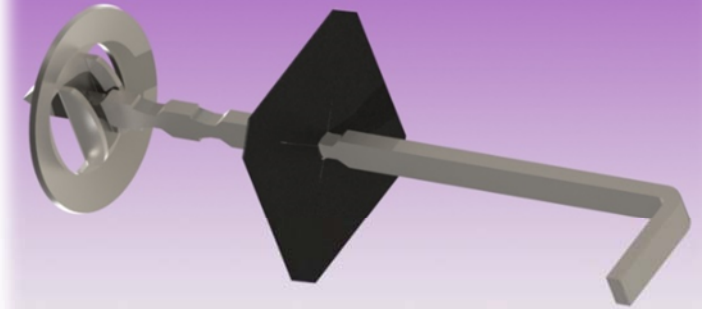
ANCHORS FOR FIBRE LININGS

INH – 200 – 310

TYPE LENGTH L ALLOY



Options :



INSULTWIST SYSTEM



D4-02
06-2015

Our recommendations :

- Welding with electrode



France – phone : + 33 3 66 50 00 30
anchorscontact@gmail.com
www.anchorsforrefractory.com

This drawing is the property of ANCHORS unauthorised use and / or reproduction of the drawing is prohibited. Informations mentioned are guide lines only and can be modified without previous notice .Please contact us if you want a liable specification

D-ANCHORS FOR FIBRE LININGS

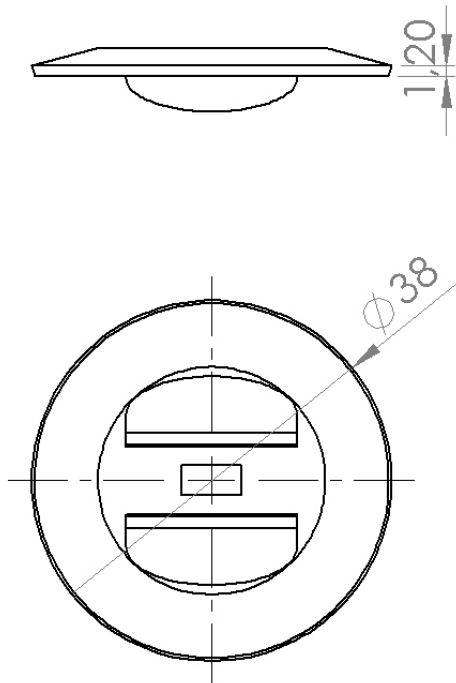
ANCHORS FOR FIBRE LININGS

LWI – 038 – 310

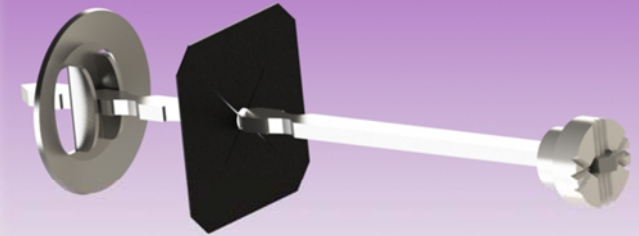
TYPE

Ø

ALLOY



Options :



INSULTWIST SYSTEM

Our recommendations :

- Fixing clip hot face for INSULTWIST



France – phone : + 33 3 66 50 00 30
anchorscontact@gmail.com
www.anchorsforrefractory.com



D4-03
06-2015

This drawing is the property of ANCHORS unauthorised use and / or reproduction of the drawing is prohibited. Informations mentioned are guide lines only and can be modified without previous notice .Please contact us if you want a liable specification



D-ANCHORS FOR FIBRE LININGS